



MÜHENDİSLİK GRUBU

İLERİ TEKNOLOJİLER SANAYİ ve TİCARET A.Ş.

MAXIMOD

"LARGE MODULE TANK"

There is always the best of everything...
WE THOUGHT AND WORKED FOR YOU.

We manufactured the **LARGEST MODULE**
PRISMATIC MODULAR
WATER TANK

MORE PRACTICAL
HYGIENIC
ECONOMICAL



MAXIMOD
"LARGE MODULE TANK"

You can now;

HAVE TANKS WITH VERY LARGE CAPACITIES
WITH MUCH MORE ECONOMICAL PRICES.



Our company has been in the service of our industry and people in industrializing Turkey with its 30 years of experience.

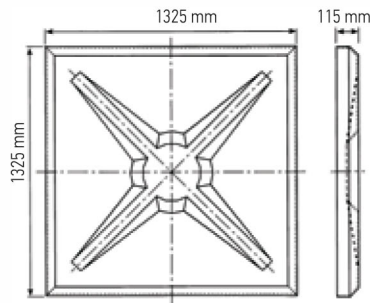
WHY MAXIMOD ?

- * Less number of plate, less gaskets, less bolts and as a result of this “LESS RISK OF LEAKAGE”.
- * “THE FACILITY TO STORE IN BIGGER CAPACITIES” due to use of larger modules.
- * “THE FACILITY OF QUICKER ASSEMBLY” due to use of large modules.
- * “THE FACILITY OF INNER AND OUTER ASSEMBLY” thanks to special construction.
- * Assembly facility in different CONSTRUCTIONS.

MODULE PLATES AND SIZES

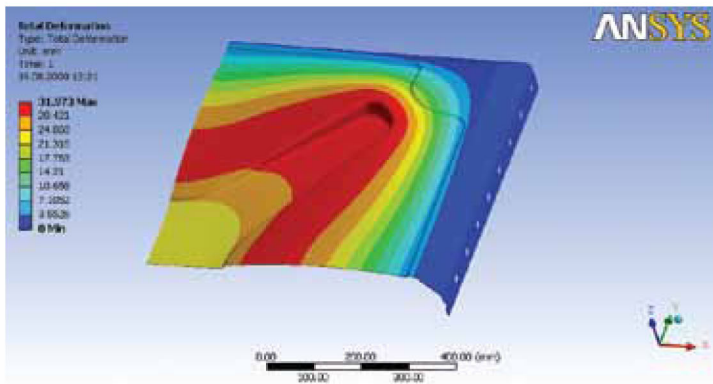


General Outlook



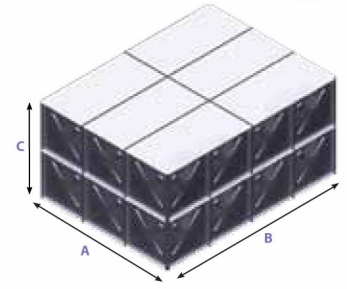
Module Plate Sizes

VERY SPECIAL SURFACE FORM



The most optimum and durable module has been formed by using special “Stress Analysis Methods” for the form of tank module. Thus, the facility of “THE MOST ECONOMICAL TANK” has been offered.

CAPACITY and SIZES



LARGE MODULE PRISMATIC MODULAR WATER TANKS

| TYPE | Capacity | A | B | C |
|------------|----------|--------|--------|-------|
| BMD 111 | 2.326 | 1,325 | 1,325 | 1,325 |
| BMD 121 | 4.652 | 1,325 | 2,650 | 1,325 |
| BMD 131 | 6.979 | 1,325 | 3,975 | 1,325 |
| BMD 141 | 9.305 | 1,325 | 5,300 | 1,325 |
| BMD 151 | 11.631 | 1,325 | 6,625 | 1,325 |
| BMD 221 | 9.305 | 2,650 | 2,650 | 1,325 |
| BMD 231 | 13.957 | 2,650 | 3,975 | 1,325 |
| BMD 241 | 18.610 | 2,650 | 5,300 | 1,325 |
| BMD 251 | 23.262 | 2,650 | 6,625 | 1,325 |
| BMD 261 | 27.914 | 2,650 | 7,950 | 1,325 |
| BMD 331 | 20.936 | 3,975 | 3,975 | 1,325 |
| BMD 341 | 27.914 | 3,975 | 5,300 | 1,325 |
| BMD 351 | 34.893 | 3,975 | 6,625 | 1,325 |
| BMD 441 | 37.219 | 5,300 | 5,300 | 1,325 |
| BMD 112 | 4.652 | 1,325 | 1,325 | 2,650 |
| BMD 122 | 9.305 | 1,325 | 2,650 | 2,650 |
| BMD 132 | 13.957 | 1,325 | 3,975 | 2,650 |
| BMD 142 | 18.610 | 1,325 | 5,300 | 2,650 |
| BMD 152 | 23.262 | 1,325 | 6,625 | 2,650 |
| BMD 222 | 18.610 | 2,650 | 2,650 | 2,650 |
| BMD 232 | 27.914 | 2,650 | 3,975 | 2,650 |
| BMD 242 | 37.219 | 2,650 | 5,300 | 2,650 |
| BMD 252 | 46.524 | 2,650 | 6,625 | 2,650 |
| BMD 262 | 55.829 | 2,650 | 7,950 | 2,650 |
| BMD 272 | 65.134 | 2,650 | 9,275 | 2,650 |
| BMD 282 | 74.439 | 2,650 | 10,600 | 2,650 |
| BMD 292 | 83.743 | 2,650 | 11,925 | 2,650 |
| BMD 2.10.2 | 93.048 | 2,650 | 13,250 | 2,650 |
| BMD 332 | 41.872 | 3,975 | 3,975 | 2,650 |
| BMD 342 | 55.829 | 3,975 | 5,300 | 2,650 |
| BMD 352 | 69.786 | 3,975 | 6,625 | 2,650 |
| BMD 362 | 83.743 | 3,975 | 7,950 | 2,650 |
| BMD 372 | 97.701 | 3,975 | 9,275 | 2,650 |
| BMD 382 | 111.658 | 3,975 | 10,600 | 2,650 |
| BMD 392 | 125.615 | 3,975 | 11,925 | 2,650 |
| BMD 3.10.2 | 139.572 | 3,975 | 13,250 | 2,650 |
| BMD 3.11.2 | 153.529 | 3,975 | 14,575 | 2,650 |
| BMD 3.12.2 | 167.487 | 3,975 | 15,900 | 2,650 |
| BMD 442 | 74.439 | 5,300 | 5,300 | 2,650 |
| BMD 452 | 93.048 | 5,300 | 6,625 | 2,650 |
| BMD 462 | 111.658 | 5,300 | 7,950 | 2,650 |
| BMD 472 | 130.267 | 5,300 | 9,275 | 2,650 |
| BMD 482 | 148.877 | 5,300 | 10,600 | 2,650 |
| BMD 492 | 167.487 | 5,300 | 11,925 | 2,650 |
| BMD 4.10.2 | 186.096 | 5,300 | 13,250 | 2,650 |
| BMD 4.11.2 | 204.706 | 5,300 | 14,575 | 2,650 |
| BMD 4.12.2 | 223.316 | 5,300 | 15,900 | 2,650 |
| BMD 552 | 116.310 | 6,625 | 6,625 | 2,650 |
| BMD 562 | 139.572 | 6,625 | 7,950 | 2,650 |
| BMD 572 | 162.834 | 6,625 | 9,275 | 2,650 |
| BMD 582 | 186.096 | 6,625 | 10,600 | 2,650 |
| BMD 592 | 209.358 | 6,625 | 11,925 | 2,650 |
| BMD 5.10.2 | 232.620 | 6,625 | 13,250 | 2,650 |
| BMD 5.11.2 | 255.882 | 6,625 | 14,575 | 2,650 |
| BMD 5.12.2 | 279.144 | 6,625 | 15,900 | 2,650 |
| BMD 662 | 167.487 | 7,950 | 7,950 | 2,650 |
| BMD 672 | 195.401 | 7,950 | 9,275 | 2,650 |
| BMD 682 | 223.316 | 7,950 | 10,600 | 2,650 |
| BMD 692 | 251.230 | 7,950 | 11,925 | 2,650 |
| BMD 6.10.2 | 279.144 | 7,950 | 13,250 | 2,650 |
| BMD 6.11.2 | 307.059 | 7,950 | 14,575 | 2,650 |
| BMD 6.12.2 | 334.973 | 7,950 | 15,900 | 2,650 |
| BMD 772 | 227.968 | 9,275 | 9,275 | 2,650 |
| BMD 782 | 260.535 | 9,275 | 10,600 | 2,650 |
| BMD 792 | 293.102 | 9,275 | 11,925 | 2,650 |
| BMD 7.10.2 | 325.668 | 9,275 | 13,250 | 2,650 |
| BMD 7.11.2 | 358.235 | 9,275 | 14,575 | 2,650 |
| BMD 7.12.2 | 390.802 | 9,275 | 15,900 | 2,650 |
| BMD 882 | 297.754 | 10,600 | 10,600 | 2,650 |
| BMD 892 | 334.973 | 10,600 | 11,925 | 2,650 |
| BMD 8.10.2 | 372.193 | 10,600 | 13,250 | 2,650 |
| BMD 8.11.2 | 409.412 | 10,600 | 14,575 | 2,650 |
| BMD 8.12.2 | 446.631 | 10,600 | 15,900 | 2,650 |
| BMD 8.13.2 | 483.850 | 10,600 | 17,225 | 2,650 |
| BMD 8.14.2 | 521.070 | 10,600 | 18,550 | 2,650 |

| TYPE | Capacity | A | B | C |
|-------------|-----------|--------|--------|-------|
| BMD 9.10.2 | 418.717 | 11,925 | 13,250 | 2,650 |
| BMD 10.10.2 | 465.241 | 13,250 | 13,250 | 2,650 |
| BMD 113 | 6.979 | 1,325 | 1,325 | 3,975 |
| BMD 123 | 13.957 | 1,325 | 2,650 | 3,975 |
| BMD 133 | 20.936 | 1,325 | 3,975 | 3,975 |
| BMD 143 | 27.914 | 1,325 | 5,300 | 3,975 |
| BMD 153 | 34.893 | 1,325 | 6,625 | 3,975 |
| BMD 223 | 27.914 | 2,650 | 2,650 | 3,975 |
| BMD 233 | 41.872 | 2,650 | 3,975 | 3,975 |
| BMD 243 | 55.829 | 2,650 | 5,300 | 3,975 |
| BMD 253 | 69.786 | 2,650 | 6,625 | 3,975 |
| BMD 263 | 83.743 | 2,650 | 7,950 | 3,975 |
| BMD 273 | 97.701 | 2,650 | 9,275 | 3,975 |
| BMD 283 | 111.658 | 2,650 | 10,600 | 3,975 |
| BMD 293 | 125.615 | 2,650 | 11,925 | 3,975 |
| BMD 2.10.3 | 139.572 | 2,650 | 13,250 | 3,975 |
| BMD 333 | 62.807 | 3,975 | 3,975 | 3,975 |
| BMD 343 | 83.743 | 3,975 | 5,300 | 3,975 |
| BMD 353 | 104.679 | 3,975 | 6,625 | 3,975 |
| BMD 363 | 125.615 | 3,975 | 7,950 | 3,975 |
| BMD 373 | 146.551 | 3,975 | 9,275 | 3,975 |
| BMD 383 | 167.487 | 3,975 | 10,600 | 3,975 |
| BMD 393 | 188.422 | 3,975 | 11,925 | 3,975 |
| BMD 3.10.3 | 209.358 | 3,975 | 13,250 | 3,975 |
| BMD 3.11.3 | 230.294 | 3,975 | 14,575 | 3,975 |
| BMD 3.12.3 | 251.230 | 3,975 | 15,900 | 3,975 |
| BMD 443 | 111.658 | 5,300 | 5,300 | 3,975 |
| BMD 453 | 139.572 | 5,300 | 6,625 | 3,975 |
| BMD 463 | 167.487 | 5,300 | 7,950 | 3,975 |
| BMD 473 | 195.401 | 5,300 | 9,275 | 3,975 |
| BMD 483 | 223.316 | 5,300 | 10,600 | 3,975 |
| BMD 493 | 251.230 | 5,300 | 11,925 | 3,975 |
| BMD 4.10.3 | 279.144 | 5,300 | 13,250 | 3,975 |
| BMD 4.11.3 | 307.059 | 5,300 | 14,575 | 3,975 |
| BMD 4.12.3 | 334.973 | 5,300 | 15,900 | 3,975 |
| BMD 4.13.3 | 362.888 | 5,300 | 17,225 | 3,975 |
| BMD 4.14.3 | 390.802 | 5,300 | 18,550 | 3,975 |
| BMD 553 | 174.465 | 6,625 | 6,625 | 3,975 |
| BMD 563 | 209.358 | 6,625 | 7,950 | 3,975 |
| BMD 583 | 279.144 | 6,625 | 10,600 | 3,975 |
| BMD 593 | 314.037 | 6,625 | 11,925 | 3,975 |
| BMD 5.10.3 | 348.930 | 6,625 | 13,250 | 3,975 |
| BMD 5.11.3 | 383.824 | 6,625 | 14,575 | 3,975 |
| BMD 5.12.3 | 418.717 | 6,625 | 15,900 | 3,975 |
| BMD 5.13.3 | 453.610 | 6,625 | 17,225 | 3,975 |
| BMD 5.14.3 | 488.503 | 6,625 | 18,550 | 3,975 |
| BMD 5.15.3 | 523.396 | 6,625 | 19,875 | 3,975 |
| BMD 663 | 251.230 | 7,950 | 7,950 | 3,975 |
| BMD 673 | 293.102 | 7,950 | 9,275 | 3,975 |
| BMD 683 | 334.973 | 7,950 | 10,600 | 3,975 |
| BMD 693 | 376.845 | 7,950 | 11,925 | 3,975 |
| BMD 6.10.3 | 418.717 | 7,950 | 13,250 | 3,975 |
| BMD 6.11.3 | 460.588 | 7,950 | 14,575 | 3,975 |
| BMD 6.12.3 | 502.460 | 7,950 | 15,900 | 3,975 |
| BMD 6.13.3 | 544.332 | 7,950 | 17,225 | 3,975 |
| BMD 6.14.3 | 586.203 | 7,950 | 18,550 | 3,975 |
| BMD 6.15.3 | 628.075 | 7,950 | 19,875 | 3,975 |
| BMD 773 | 341.952 | 9,275 | 9,275 | 3,975 |
| BMD 783 | 390.802 | 9,275 | 10,600 | 3,975 |
| BMD 793 | 439.652 | 9,275 | 11,925 | 3,975 |
| BMD 7.10.3 | 488.503 | 9,275 | 13,250 | 3,975 |
| BMD 7.11.3 | 537.353 | 9,275 | 14,575 | 3,975 |
| BMD 7.12.3 | 586.203 | 9,275 | 15,900 | 3,975 |
| BMD 883 | 446.631 | 10,600 | 10,600 | 3,975 |
| BMD 893 | 502.460 | 10,600 | 11,925 | 3,975 |
| BMD 8.10.3 | 558.289 | 10,600 | 13,250 | 3,975 |
| BMD 8.11.3 | 614.118 | 10,600 | 14,575 | 3,975 |
| BMD 8.12.3 | 669.947 | 10,600 | 15,900 | 3,975 |
| BMD 8.13.3 | 725.775 | 10,600 | 17,225 | 3,975 |
| BMD 8.14.3 | 781.604 | 10,600 | 18,550 | 3,975 |
| BMD 10.10.3 | 697.861 | 13,250 | 13,250 | 3,975 |
| BMD 12.12.3 | 1,004.920 | 15,900 | 15,900 | 3,975 |
| BMD 14.14.3 | 1,367.807 | 18,550 | 18,550 | 3,975 |
| BMD 15.16.3 | 1,674.866 | 19,875 | 21,200 | 3,975 |
| BMD 15.18.3 | 1,884.225 | 19,875 | 23,850 | 3,975 |

